

SAMSON - RCWS 30

Remote Controlled Weapon Station for 30mm Cannon

Samson - RCWS 30 offers a unique combination of lethality and maximum crew survivability. Suitable for most light-armored, high mobility vehicles, it allows under-the-deck operation from any position (gunner and/or commander) without occupying space within the vehicle.

Its fire control system includes a high-performance day/night sight, stabilized Line of Sight (LOS) Laser Range-Finder and a GPS-based true-north finder.

A powerful on-board computer enables effective fire control and full integration with any battle management system.



Main Features

- Foldable for air transport (Patent Pending)
- Stabilized for firing on the move (LOS - stabilization)
- Day and night operation
- Optical Auto-Tracker
- Full solution fire control
- Slaving to any external director
- Operation redundancy (gunner and/or commander)
- Built-in Test (BIT)
- Multi-purpose SPIKE guided missiles (Optional)
- Smoke grenade launcher (Optional)
- Embedded Trainer (Optional)



Main Advantages

- Lightweight
- Low silhouette in its folded-down position, compatible with C-130 or A-400 air transport
- Superior gunner protection
- Eye contact between the gunner, commander and the vehicle crew
- Low depression angle
- High elevation range
- External ejection of spent cartridges and links
- NBC compatible
- No toxic gas hazard
- Low noise level

Actual hardware may differ from pictures

SAMSON - RCWS 30

Technical Data

Armament

- Main: 30 mm Cannon
(ATK MK-44 or other)
- Coax: 7.62 mm Machine Gun
- Optional: Multi-purpose SPIKE guided missiles
Smoke grenade launcher

Ammunition

- Main: 200 rounds (dual feed)
- Coax: 460 rounds
- Optional: 2 SPIKE missiles (or other)
smoke grenades launchers

Weight

- Combat weight: 1400kg
Including weapons and ammo.

Power Supply

- 24 VDC

Control

- Traverse:
- Electrically controlled, Nx360°

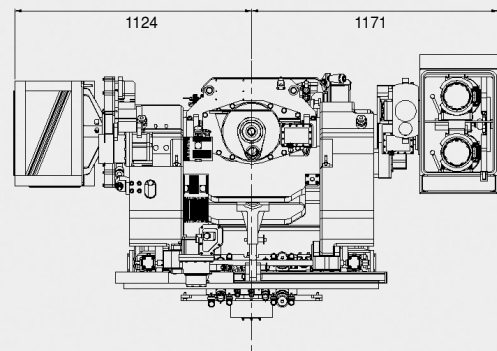
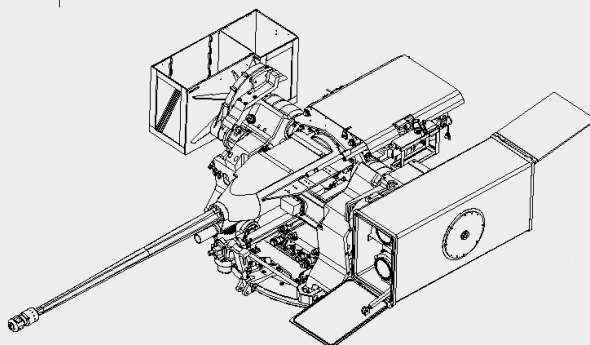
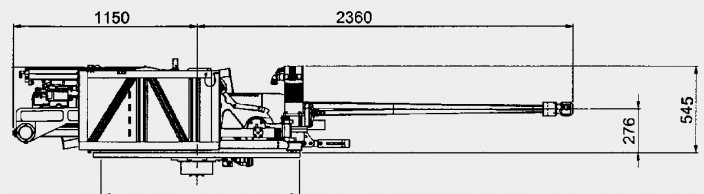
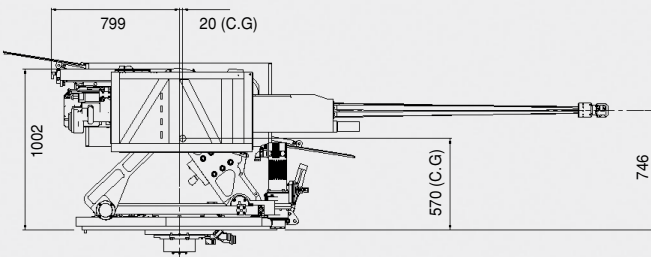
- Elevation:
- Electrically controlled
 - Range: -20° to +60°

Optics & Fire Control

- Day sight: Color / CCD camera with x10
continuous zoom
- Line of Sight stabilization
- Night Sight: Cooled FLIR
- Display: Multi-functional, color LCD monitor

Height Above Deck

- Folded position: 545 mm
(ammo chute detached)
- Extended position: 1010 mm



The manufacturer reserves the right to introduce technical changes without prior notice



ARMAMENT DEVELOPMENT AUTHORITY Ltd.

SYSTEMS DIVISION

Tel: (972) 4-879-2002, Fax: (972) 4-879-4093 | H.Q. Tel: (972) 4-879-4057, Fax: (972) 4-879-2413

E-mail: esdmrkt@rafael.co.il

E-mail: intl-mkt@rafael.co.il Visit our site: www.rafael.co.il

UNC.8/6641/04/68-04/80/11 Rafael Graphic Design Dep./Meira S.